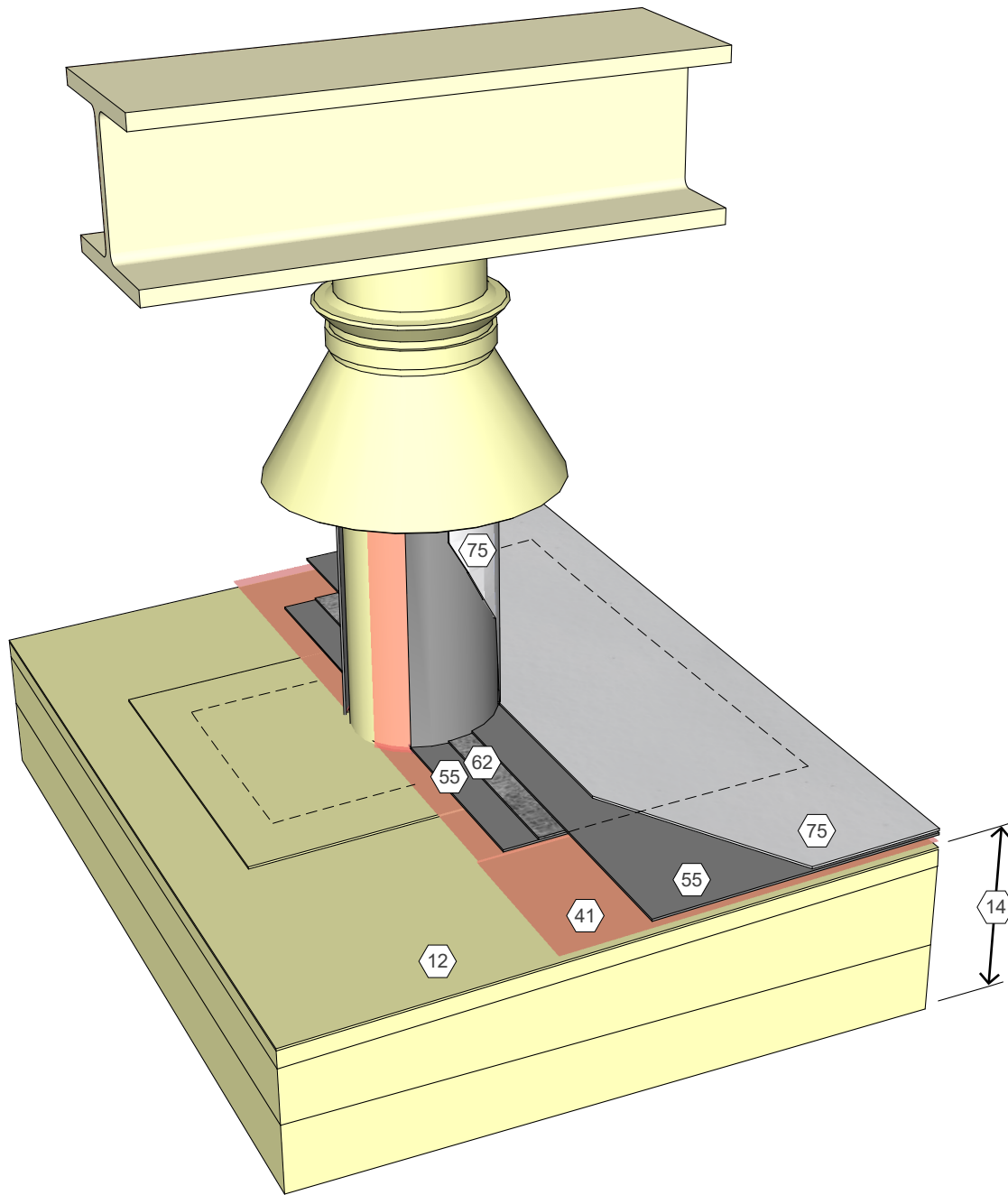


**KEY NOTES**

- 11 Existing Single-Ply Membrane
- 14 Existing Structural Deck and Insulation Assembly
- 41 Approved Primer
- 55 Geogard Base Coat
- 62 Permafab
- 75 Geogard Finish Coat

Geogard® Restoration Detail, Single-Ply, Equipment Support Stand Leg  
 Detail 17111



**KEY NOTES**

- 12 Existing MB or Smooth BUR
- 14 Existing Structural Deck and Insulation Assembly
- 41 Approved Primer
- 55 Geogard Base Coat
- 62 Permafab
- 75 Geogard Finish Coat

Geogard® Restoration Detail, MB or Smooth BUR, Equipment Support Stand Leg  
 Detail 17112